

www.deteq.com

TEST INJECTORS TO CALIBRATE DIESEL FUEL INJECTION PUMPS



The calibrating nozzle and holder assemblies are intended to simulate closely the function of the nozzle and holder assembly in the fuel injection system of a compression-ignition (diesel) engine.

They are flow gauges manufactured according ISO 4010, ISO 7440 and ISO 14681 requirements.

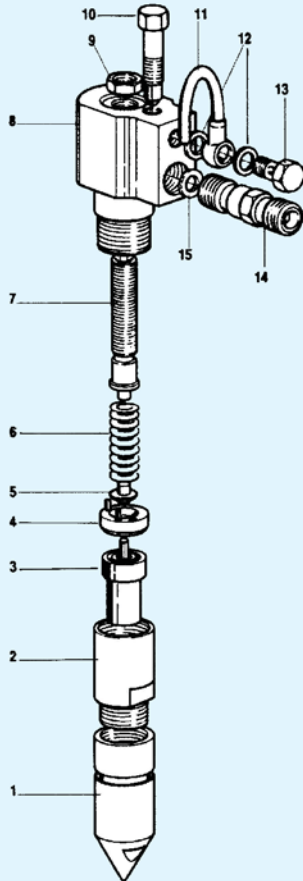
They require careful handling and maintenance, according to ISO 4008/3 guide lines.

Free Toll
+800-DETEQCOM
33837266

www.deteq.com

TYPE I

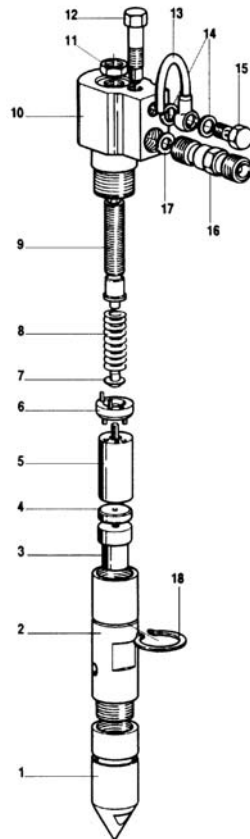
PART N.	PRESSURE	ORIFICE PLATE
84.05.022	130 BAR	-



REF.	PART N.	SPARE PARTS
1	84.70.003	Spray damper
2	84.60.012	Nut retainer
3	84.40.992	Needle valve
4	84.45.992	Spacer
5	84.15.001	Lower spring guide
6	84.30.002	Spring
7	84.13.001	Screw adjusting pressure
8	84.10.004	Body holder
9	84.14.001	Locknut pressure adjusting
10	84.12.001	Screw bleeder
11	84.99.001	Tube
12	84.18.001	Gasket
13	84.17.001	Screw
14	84.20.002	Fuel inlet
15	84.19.001	Gasket

TYPE II

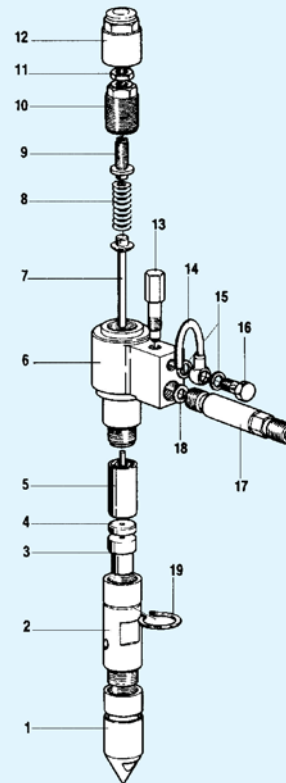
PART N.	PRESSURE	ORIFICE PLATE
84.05.023	172 BAR	diam. 0,4 mm
84.05.025	172 BAR	diam. 0,5 mm
84.05.027	250 BAR	diam. 0,5 mm



REF.	PART N.	SPARE PARTS
1	84.70.003	Spray damper
2	84.60.010	Nut retainer
3	84.80.000	Adapter
4	84.50.V	Orifice plate
5	84.40.991	Needle valve
6	84.45.991	Spacer
7	84.15.001	Lower spring guide
8	84.30.002	Spring
9	84.13.001	Screw adjusting pressure
10	84.10.004	Body holder
11	84.14.001	Locknut pressure adjusting
12	84.12.001	Screw bleeder
13	84.99.001	Tube
14	84.18.001	Gasket
15	84.17.001	Screw
16	84.20.002	Fuel inlet
17	84.19.001	Gasket
18	84.65.001	Retaining ring

TYPE III

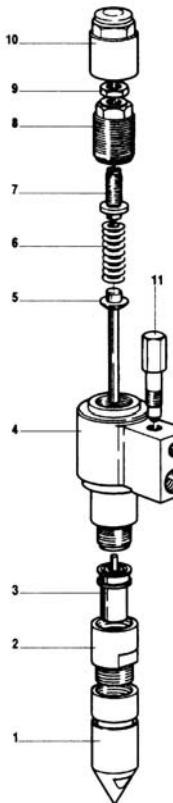
PART N.	PRESSURE	ORIFICE PLATE
84.05.015	207 BAR	diam. 0,4 mm
84.05.016	207 BAR	diam. 0,5 mm
84.05.017	207 BAR	diam. 0,6 mm
84.05.018	207 BAR	diam. 0,7 mm
84.05.019	207 BAR	diam. 0,8 mm
84.05.020	172 BAR	diam. 0,6 mm



REF.	PART N.	SPARE PARTS
1	84.70.003	Spray damper
2	84.60.003	Nut retainer
3	84.80.000	Adapter
4	84.50.V	Orifice plate
5	84.40.999	Needle valve
6	84.10.003	Body holder
7	84.15.002	Spindle
8	84.30.003	Spring
9	84.13.002	Seat upper spring
10	84.16.001	Spring retaining cup
11	84.14.002	Locknut pressure adjusting
12	84.11.001	Cover nut
13	84.12.002	Screw bleeder
14	84.99.001	Tube
15	84.18.001	Gasket
16	84.17.001	Screw
17	84.20.001	Fuel inlet
18	84.19.001	Gasket
19	84.65.001	Retaining ring

TYPE IV

PART N.	PRESSURE
84.05.000	147 BAR
84.05.009	172 BAR



REF.	PART N.	SPARE PARTS
1	84.70.003	Spray damper
2	84.60.014	Nut retainer
3	84.40.014	Needle valve
4	84.10.003	Body holder
5	84.15.002	Spindle
6	84.30.003	Spring
7	84.13.002	Seat upper spring
8	84.16.001	Spring retaining cup
9	84.14.002	Locknut pressure adjusting
10	84.11.001	Cover nut
11	84.12.002	Screw bleeder
12	84.99.001	Tube
13	84.18.001	Gasket
14	84.17.001	Screw
15	84.20.001	Fuel inlet
16	84.19.001	Gasket

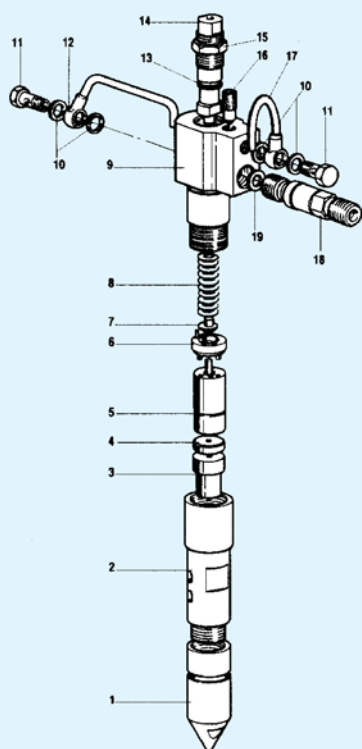
FACTORS TO CALIBRATE DIESEL FUEL INJECTION PUMPS

© 2004 DETEQ Snc - Italy. Deteq and InjectionPower name are registered trademarks. All rights are reserved.

Rev. 1A.en, March 2004 (IP307)

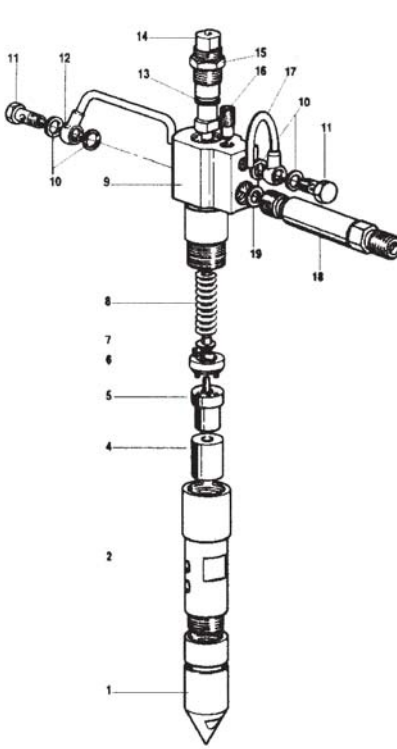
TYPE VII

REF.	ORIFICE PLATE	PART N.	PRESSURE	ORIFICE PLATE
84.05.101	-	84.05.101	207 BAR	diam. 0,6 mm
84.05.102	-	84.05.102	250 BAR	diam. 0,6 mm
84.05.103	-	84.05.103	207 BAR	diam. 0,7 mm
84.05.104	-	84.05.104	250 BAR	diam. 0,7 mm
84.05.105	-	84.05.105	207 BAR	diam. 0,8 mm
84.05.106	-	84.05.106	250 BAR	diam. 0,8 mm
84.05.109	-	84.05.109	207 BAR	diam. 0,5 mm
84.05.110	-	84.05.110	250 BAR	diam. 0,5 mm



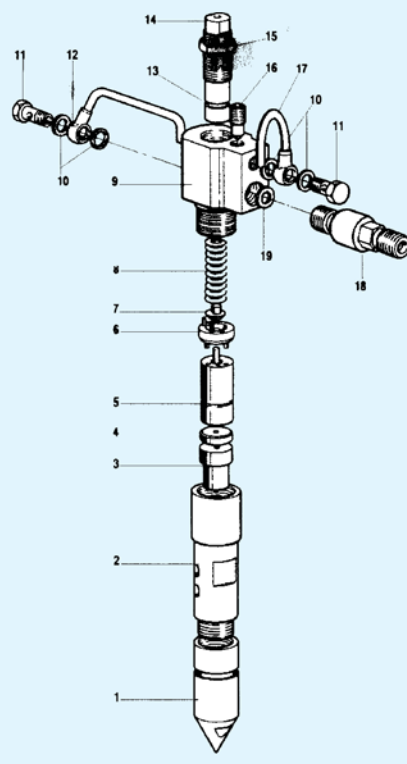
TYPE VIII

REF.	ORIFICE PLATE	PART N.	PRESSURE	ORIFICE PLATE
84.05.111	-	84.05.111	147 BAR	-
84.05.112	-	84.05.112	172 BAR	-
84.05.113	-	84.05.113	207 BAR	-



TYPE IX

REF.	ORIFICE PLATE	PART N.	PRESSURE	ORIFICE PLATE
84.05.114	-	84.05.114	207 BAR	diam. 0,4 mm
84.05.115	-	84.05.115	250 BAR	diam. 0,4 mm
84.05.116	-	84.05.116	207 BAR	diam. 0,5 mm
84.05.117	-	84.05.117	250 BAR	diam. 0,5 mm



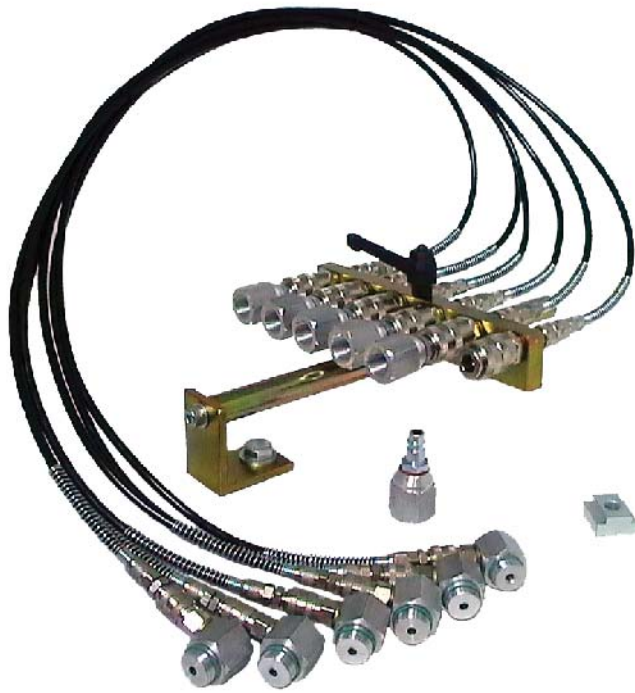
PARTS

Spray damper
Nut retainer
Adapter
Orifice plate
Needle valve
Spacer
Lower spring guide
Spring
Body holder
Gasket
Screw
Leak off tube
O-ring
Screw adjusting pressure
Locknut pressure adjusting
Screw bleeder

REF.	PART N.	SPARE PARTS
1	84.70.003	Spray damper
2	84.60.005	Nut retainer
3	84.80.000	Adapter
4	84.50.V	Orifice plate
5	84.40.990	Needle valve
6	84.45.990	Spacer
7	84.15.003	Lower spring guide
8	84.30.004	Spring
9	84.10.005	Body holder
10	84.18.001	Gasket
11	84.17.001	Screw
12	84.99.002	Leak off tube
13	84.21.001	O-ring
14	84.13.003	Screw adjusting pressure
15	84.14.003	Locknut pressure adjusting
16	84.12.003	Screw bleeder
17	84.99.001	Tube
18	84.20.003	Fuel inlet
19	84.19.001	Gasket

REF.	PART N.	SPARE PARTS
1	84.70.003	Spray damper
2	84.60.005	Nut retainer
3	84.80.210	Adapter
4	84.40.988	Needle valve
5	84.45.990	Spacer
6	84.15.003	Lower spring guide
7	84.30.004	Spring
8	84.10.005	Body holder
9	84.18.001	Gasket
10	84.17.001	Screw
11	84.99.002	Leak off tube
12	84.21.001	O-ring
13	84.13.003	Screw adjusting pressure
14	84.14.003	Locknut pressure adjusting
15	84.12.003	Screw bleeder
16	84.99.001	Tube
17	84.20.005	Fuel inlet
18	84.19.001	Gasket

REF.	PART N.	SPARE PARTS
1	84.70.003	Spray damper
2	84.60.005	Nut retainer
3	84.80.000	Adapter
4	84.50.V	Orifice plate
5	84.40.987	Needle valve
6	84.45.987	Spacer
7	84.15.004	Lower spring guide
8	84.30.005	Spring
9	84.10.006	Body holder
10	84.18.001	Gasket
11	84.17.001	Screw
12	84.99.002	Leak off tube
13	84.21.001	O-ring
14	84.13.004	Screw adjusting pressure
15	84.14.003	Locknut pressure adjusting
16	84.12.003	Screw bleeder
17	84.99.001	Tube
18	84.20.004	Fuel inlet
19	84.19.001	Gasket



WHEN SHORT HIGH PRESSURE PIPES (less than 800 mm) ARE REQUIRED

84.90.010 is the proper holder up to 6 ISO test injectors. It has to be installed on the test bench bed having a 20 mm guide (as standard application).

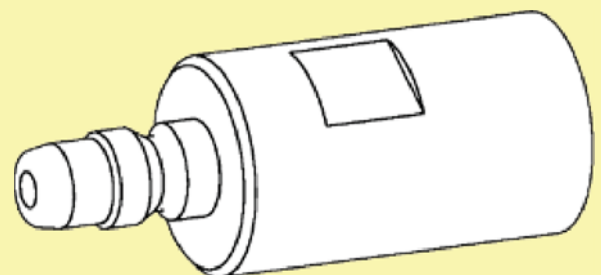
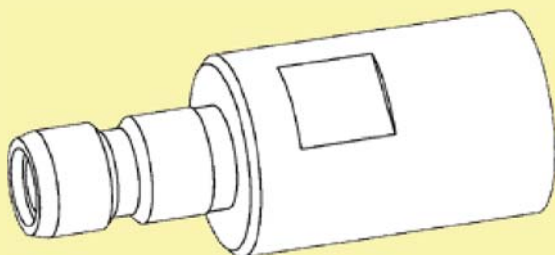
The connection of the test injector is obtained through quick couplings warranting the easiest operation.

The test injector outlets can be leant into the correspondent graduated glass by means of the flexible pipes.

70.12.022 is the proper adapter to install the holder on Hartridge test benches

SPECIFIC APPLICATION ON BOSCH 815 TEST BENCHES AND SIMILARS

In place of the standard spray damper, the proper adapter **84.70.005** allows to install any ISO test injector into the specific quick couplings installed on Bosch test benches mod. 815 and similars.



SPECIFIC APPLICATION ON HARTRIDGE AVM TEST BENCHES AND SIMILARS

The proper adapter **84.70.006** is specifically designed to install any ISO test injector into the specific quick couplings installed on Hartridge test benches mod. AVM and similars.